

# Technical data sheet



## Product features

### Induction cooker drop-in el. 9 power levels manual control panel 230 V

<b>Model</b>	<b>SAP Code</b>	00038288
RIB 3521 EB	<b>A group of articles - web</b>	Microwaves

– Control type: Digital



<b>SAP Code</b>	00038288	<b>Net Weight [kg]</b>	4.40
<b>Net Width [mm]</b>	350	<b>Power electric [kW]</b>	3.500
<b>Net Depth [mm]</b>	350	<b>Loading</b>	220-240 V/ 50-60 Hz
<b>Net Height [mm]</b>	110		

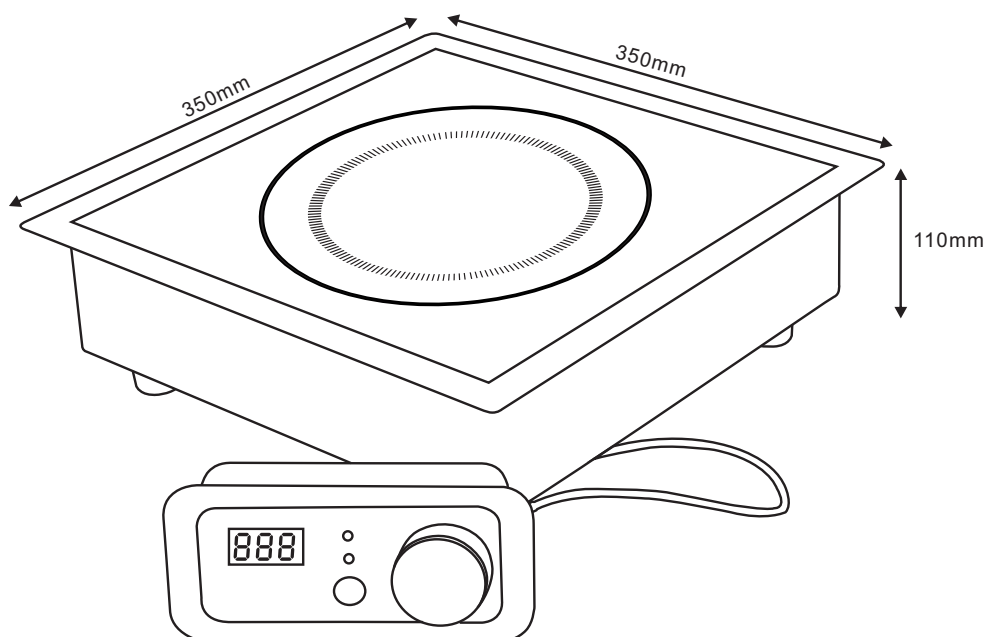
# Technical data sheet



Technical drawing

Induction cooker drop-in el. 9 power levels manual control panel 230 V

<b>Model</b>	<b>SAP Code</b>	00038288
RIB 3521 EB	<b>A group of articles - web</b>	Microwaves



# Technical data sheet



Technical parameters

## Induction cooker drop-in el. 9 power levels manual control panel 230 V

<b>Model</b>	<b>SAP Code</b>	00038288
RIB 3521 EB	<b>A group of articles - web</b>	Microwaves

**1. SAP Code:**

00038288

**9. Gross Weight [kg]:**

5.30

**2. Net Width [mm]:**

350

**10. Device type:**

Electric unit

**3. Net Depth [mm]:**

350

**11. Material:**

Stainless steel

**4. Net Height [mm]:**

110

**12. Power electric [kW]:**

3.500

**5. Net Weight [kg]:**

4.40

**13. Loading:**

220-240 V/ 50-60 Hz

**6. Gross Width [mm]:**

350

**14. Control type:**

Digital

**7. Gross depth [mm]:**

350

**15. Cross-section of conductors CU [mm<sup>2</sup>]:**

1

**8. Gross Height [mm]:**

110